



FRIATEC –
always the right
decision



Always the right decision.



Certai

The more far reaching a decision is, the greater the responsibility of those having to make it. For over 100 years FRIATEC has stood for the certainty to have made the right decision.

And this looks set to continue into the future.

Keeping a clear head.

Connection technology for pipe systems has always been an area which has been technically demanding. This technology is our world. For our customers it will always make up only part of their field of responsibility. That is why they appreciate having found a partner in FRIATEC who works with them and gives them the absolute certainty to have made the right decision. And while we concentrate on connection technology, our customers can focus on the grand scheme of things, the final result.

Optimising processes.

FRIATEC products complete all tasks to perfection. As leaders in electrofusion technology we take this for granted. In addition our efforts contribute to making customer processes simpler, more efficient and safer.

Protection of the environment

FRIATEC AG actively supports the preservation of natural resources and the global protection of the environment. It is our aim to ensure long term social benefit and positive effect on the environment by making use of the available technology in all business areas, procedures and products on our site.

nty



Having reserves.

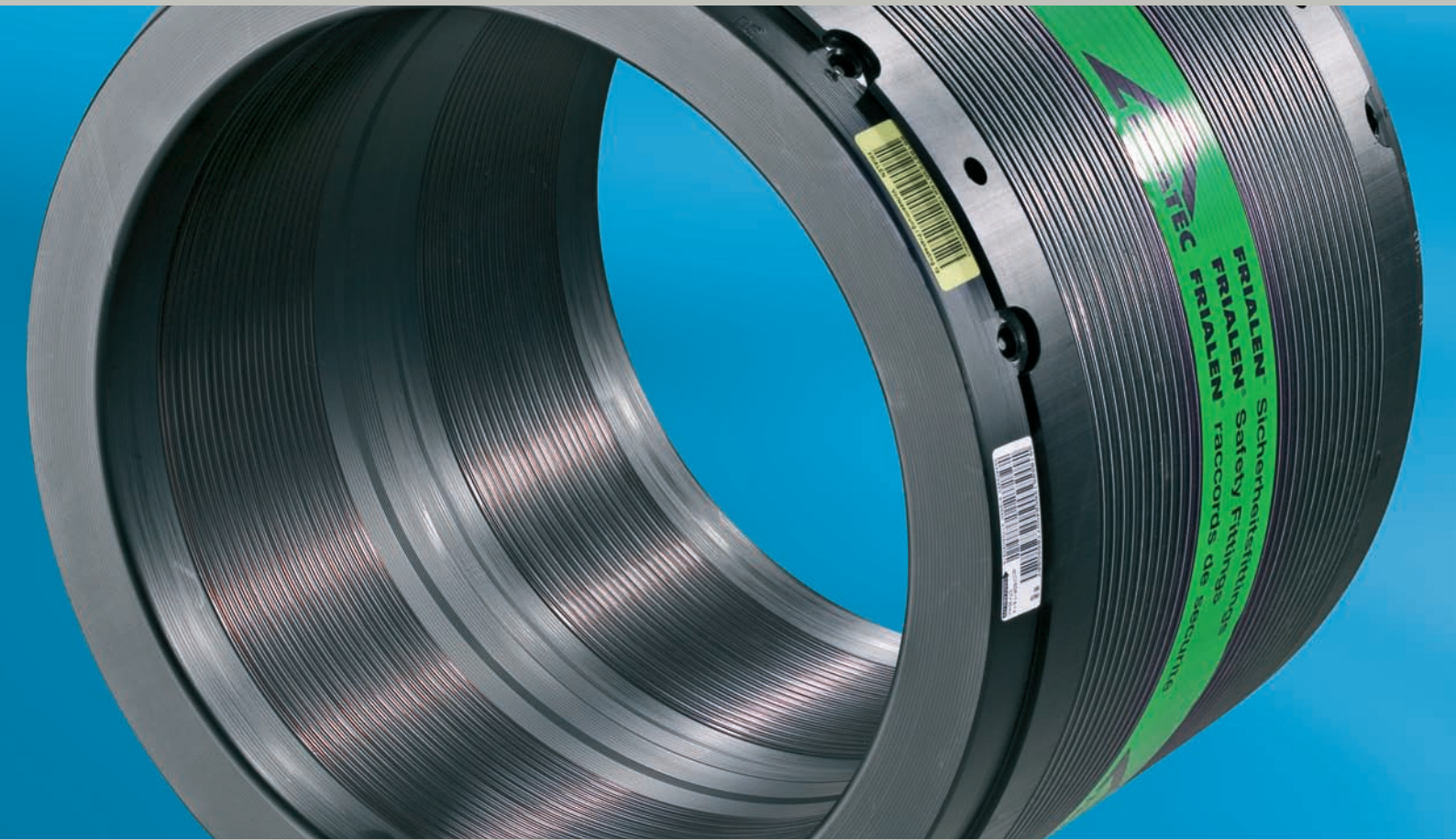
In an environment where safety is of the utmost relevance, standards provide an orientation for manufacturers and users alike, and they are valued greatly. Our customers benefit from the additional certainty that FRIATEC products invariably come with extra reserves.

Ensuring value.

When weighing up service dimensions such as price, quality, service and safety, it is good to know that there is a company which prizes economic advantage to both its customers and itself: FRIATEC.



Better than just approved. Always.



Technical Su

Those who are convinced of their products and services must put up with having the highest standards applied. We are convinced of the technical superiority of FRIATEC solutions. This is why we invite you to have a particularly close look.

The electrofusion process. Perfection.

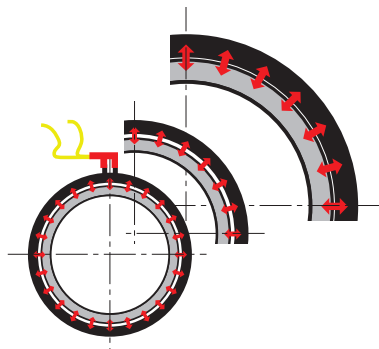
The technical superiority of the FRIATEC joining technology becomes most apparent with the electrofusion process. All FRIATEC fittings are equipped with exposed heating coils. These ensure symmetrical heat transfer between fitting and pipe during fusion. The resulting homogenous fusion ellipse highlights the outcome: A perfect connection. And safe, too.



Exposed heating coil.

Patented pre-heating technique:

FRIALEN large couplers have a pre-heating barcode from d 400 as well as a barcode for the fusion process. Pre-heating prevents deviations in the shape of the pipes to be fused and compensates annular gaps between coupler and pipe up to 3 mm.



Pre-heating process

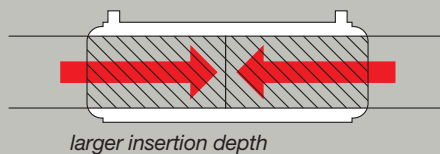
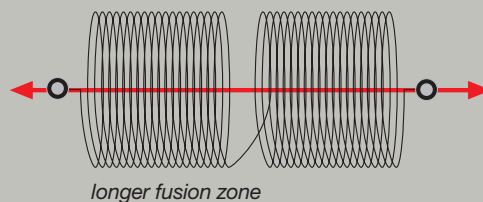
periority



Exceeding standards. In relevant areas.

The fact that FRIATEC products exceed standard quality levels is part of the decision-making certainty we provide for our customers. For example the longer fusion zone in FRIATEC fittings results in the connections being notably tighter.

Another example of technical superiority of FRIATEC products is the extra long insertion depth of the fittings. With this design, bending stress can be absorbed and compensated better.



Everything within our grasp – always.



Specialist

Those responsible for safety relevant areas need reliability when making decisions. The safest decision is to go for what is best. Come to the specialist for the best solution – come to us.

Connection technology for pipe systems.

We focus on connection technology for pipe systems. This allows us to come up with a highly specialised solution for all requirements in this area.

■ FRIALEN

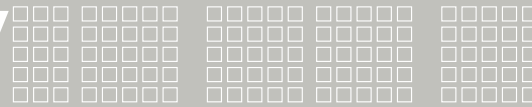
Couplers, shaped fittings and valves for electrofusion connection of HDPE pipes in gas and water supply.

■ FRIAFIT

Couplers, shaped fittings and valves for electrofusion connection of HDPE pipes in waste water processing.



Know-How



■ FRIATOOLS

FRIATOOLS Technical Equipment offers a sophisticated and complete product range with its FRIAMAT fusion units and mechanical tools such as scraper tools and rounding clamps. Comprehensive service and practice-orientated workshops round off the offer.

■ FRIAGRIP

Coupling and repair technology for the repair of different pipe materials.

■ STRAUB

Axial restraint and axially flexible pipe joints for all pipe materials.



Always one idea ahead.



Built-in

Future viability of a technology plays a large role

in the decision making process for the connection

of pipe systems. It seems obvious to go for the

innovative leader. Welcome to FRIATEC!

First. From the beginning ...

FRIATEC is pioneer and innovative leader for electrofusion. Our innovations mark the milestones in the continuous development of this unique connection technology:

- The first pressure-tapping valve for electrofusion: FRIALEN-DAV.
- The first pressure-tapping tee for leakfree tapping: FRIALEN-DAA.
- The only saddle moulded parts which adapt flexibly to the pipe diameter: FRIALEN top loading parts.
- The first PE fusion system for gravity pipes: FRIAFIT.



future



From vision to reality:

FRIALOC - the PE shut-off valve.

The objective of our R&D activities is to support you, our customers, in the extension and maintenance of piping networks by supplying new and improved products. In this respect, top priority is attached to economy and safety. In the development of the first FRIALOC shut-off valve made of polyethylene, we forged new paths to further complete the homogeneous PE piping network.



Always by your side.



Reliabil

**What makes a decision easier than the prospect of
a working partnership? The prospect of a perfect
partnership. Always within sight, side by side, and
reliably present when you need us.**

Perfect advice, perfect service.

Your FRIATEC advisers have profound experience in application technology. None of the problems your colleagues may encounter will be alien to them. They regard themselves as members of your team. They are there for you when you need them. On the construction site, at sample installations, presentations or training seminars. They are there, complete with replacement or rental units, good advice, action, good will and sharp minds.



ity



Available, fast and international.

Top availability of all products is a central component of our quality strategy. This applies to our delivery service in Germany as well as our worldwide distribution network which makes FRIATEC your perfect partner for your international activities, too.



FRIATEC Aktiengesellschaft · Technical Plastics Division
P.O.B. 71 02 61 · D-68222 Mannheim
Telephone +49 621 486-0 · Telefax +49 621 479196
info-frialen@friatec.de · www.frialen.com

